

Computer Port Module (CPM)

The RS232 Computer Port Module (CPM) acts as an Access Control System network link to an RS232 interface, allowing a PC, a printer, or a Modem to be connected to the network.

The CPM provides one Reader input. This reader input can be used for card enrollment or any other general purpose but it cannot be committed to an Access Point. The CPM is powered by a small wall-pack style power transformer.

Card Enrollment Kit (CEK)

The enrollment kit has everything you'll need to equip your PassPoint Access Control System with card enrollment capabilities, and allows the user to batch swipe multiple cards in quick succession.



ADEMCO Access Control System, CPM & CEK Computer Port Module and Card Enrollment Kit.

Key Features:

- ◆ 8 bit microprocessor.
- ◆ EEPROM for configuration storage.
- ◆ Echelon Network interface implemented with an Echelon transceiver.
- ◆ 1 Reader Interface, programmable as Wiegand or clock and data mode. Both 12 volts DC and 5 volts DC are available to power the reader.

- ◆ One RS232 Port.
- ◆ Wall transformer power inputs.

Card Enrollment Kit (CEK) contains:

- ◆ 1 Card Enrollment Cabinet with integral reader
- ◆ 1 Wall transformer - 15 VDC @ 600 mA

CEK/CPM Card Enrollment Kit and Computer Port Module

APPLICATIONS:

Once the appropriate configuration information has been transferred from the MLB to the CPM, the CPM controls its communications port according to its own stored configuration information and also commands from the MLB. It keeps a copy of its configuration in an on board EEPROM. The CPM's reader port is identical to the DCM's reader ports.

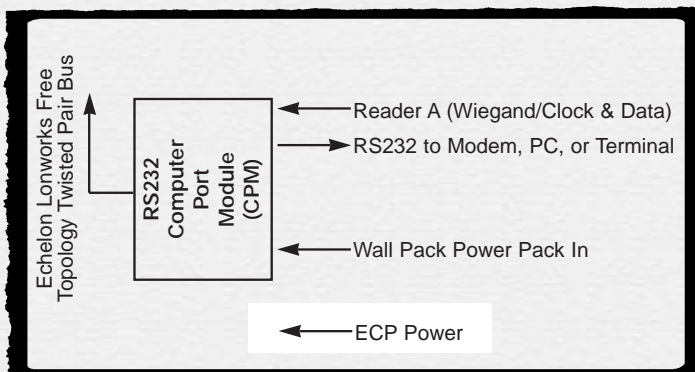
INSTALLATION (CPM) & (CEK):

The CPM communicates with its MLB via a twisted pair network connection. Physically, this connection adheres to Echelon Free-Topology Transceiver specifications (Transformer-Coupled, Differential-Pair, 78Kbps). Logically, the connection is made through the use of the Echelon Lonworks Protocol. Each CPM connected to the network is considered a "node" and is identified by a unique 48-bit serial number which is present in the CPM's Neuron chip.

To complete installation for the (CEK) you will need: Cable for LonWorks Network - 22AWG unshielded twisted pair wire.

CPM POWER REQUIREMENTS:

The CPM requires 10.5-14V DC @ 190mA. Power is provided to allow power by a wall-pack style DC power supply rated at 12VDC @ 600mA (for example, CUI STACK DPD120030-P1-SZ).



Ordering Information:

<u>Part No.</u>	<u>Description</u>
PTCEK	Card Enrollment Kit
PTCPM	Computer Port Module (Reader Not Included)
PTCPB	Board Only

Options:

<u>Part No.</u>	<u>Description</u>
PTPROX	Extra Proximity Reader
PTPROX25	Extra Prox Cards (25) pcs.

